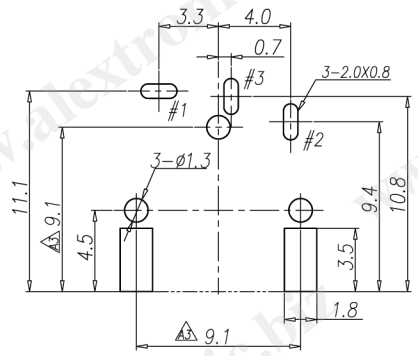
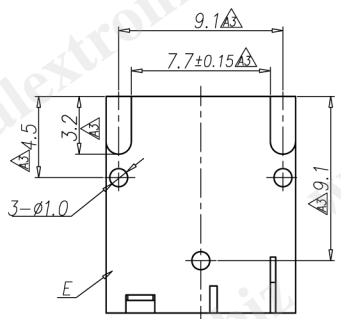
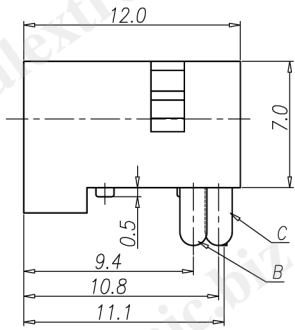
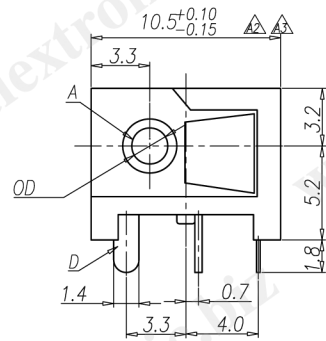


CATEGORY	DESCRIPTION	P/N #
CONNECTOR	DC Power Jack, R/A, T/H	2DJ004-10X00-00

REV.	ECN NO	DESCRIPTION	REVISED	DATE
A1		NEW RELEASE	zuoge	2007.12.21
A2	ECN070108001	Modify dimensions tolerance	jiangwei	2008.01.08
A3		修改尺寸	Pengjie	2008.11.18

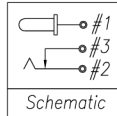


**SPECIFICATION**

1. Voltage and Current Rating: 24V & 2A
2. Contact resistance: 30 mΩ(MAX.)
3. Insulation resistance: 100MΩ MIN. @ DC250V
4. Operation Temperature: -25°C~70°C
5. Withstand Voltage: 500VAC
6. Insertion force: 3.0kgf (MAX.)
7. Extraction force: 0.3kgf (MIN.)
8. Life testing: 5,000 cycles

PART NO.  
2DJ004-10X00-00

X	Pin OD
7	OD=2.0
9	OD=2.5



Recommend PCB Layout  
Jack Top View  
Tolerance: ±0.05  
Recommend PCB Thickness 1.6mm

**Product Drawing**  
**TERAPRO Technology Co., LTD.**

NO.	PART NAME	QTY	MATERIAL	PLATING & COLOR	REMARK
E	Housing	1	PBT UL94V-0	Black	
D	Flat Foot #1	1	Brass, T=0.30mm	Tin Plating	
C	Flat Foot #3	1	Brass, T=0.40mm	Tin Plating	
B	Spring Piece #2	1	Phosphor Bronze, T=0.20mm	Tin Plating	
A	Contact Pin	1	Brass	Nickel Plating	

UNLESS OTHERWISE SPECIFIED TOLERANCES:		SCALE: free	UNIT: mm	DWG. NO: WI-061-061	
DECIMALS: X : ±0.5		SIZE: A3	PAGE: 1 OF 1	REV: A3	
ANGLES: X : ±2°		APPROVED BY		CHECKED BY	PREPARED BY
X.X : ±0.3		GG		WYX	Pengjie
X.XX : ±0.2		CUSTOMER COPY			